



Airwork's pneumatic valves combine big resistance, reliability and versatility of assemblage; the VK series can be assembled in several ways: In-line, on panel, on multiple bases, on manifolds and on cylinders. Available size are 1/8, 1/4 and 1/2, the available functions are 3/2, 5/2 e 5/3.

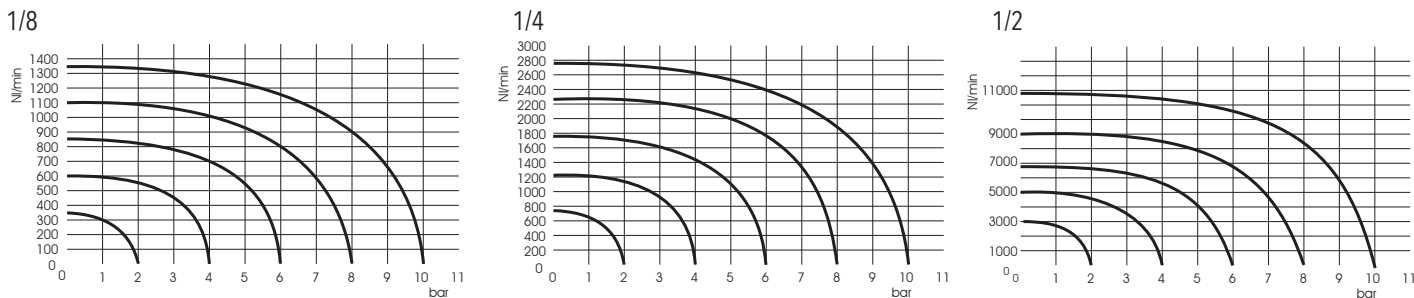
**La série des distributeurs pneumatiques à raccordement direct série VK a des caractéristiques multiples de robustesse, de fiabilité et de montage. En ligne, sur embase multiple, assemblée et directement sur le vérin. Elle est disponible en taille 1/8-1/4 et 1/2 ainsi qu'en fonction 3/2, 5/2 et 5/3.**

*La serie di valvole pneumatiche di Airwork, possiedono caratteristiche di grande robustezza, affidabilità e versatilità di montaggio, infatti la serie VK si possono montare in diversi modi: in linea, a parete, su base multipla, su collettori e persino su cilindro. Sono disponibili in tra taglie 1/8, 1/4 e 1/2 nelle funzioni 3/2, 5/2 e 5/3.*

**TECHNICAL DATA / DONNÉES TECHNIQUES / DATI TECNICI**

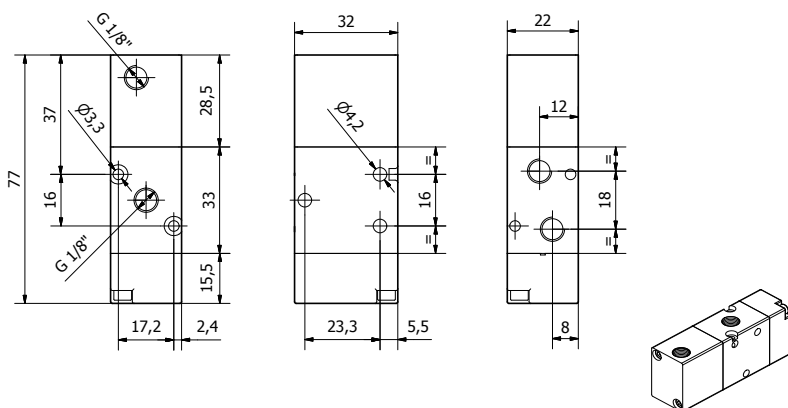
	1/8	1/4	1/2
Flow rate 6 bar $\Delta p$ 1 bar / Débit à 6 bar $\Delta p$ 1 bar / Portata a 6 bar $\Delta p$ 1 bar	550 NI/min	1100 NI/min	4600NI/min
Nominal orifice / Diamètre nominal / Diametro nominale	5mm	7.5mm	13mm
Response times mono-stable / Temps réponse monostable / Tempi risposta monostabile	TRA 6ms / TRR 15ms	TRA 7ms / TRR 15ms	TRA 24ms / TRR 43ms
Response times bi-stable / Temps réponse bistable / Tempi risposta bistabile	TRA 7ms / TRR 7ms	TRA 7ms / TRR 7ms	TRA 30ms / TRR 30ms
Coils tension / Tension bobine / Tensione bobine	12VDC - 24VDC - 24VAC - 110VAC - 220VAC 50/60Hz		
Pressure range / Pression d'utilisation / Pressione di esercizio	2.5 ÷ 10bar		
Temperature range / Temperature d'utilisation / Temperatura di esercizio	-10°C ÷ +60°C		

**FLOW RATES / COURBE DE DEBIT / PORTATE**



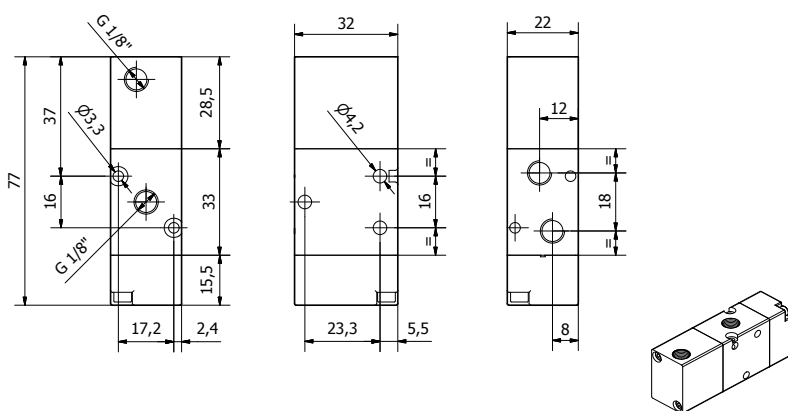
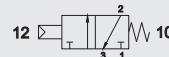
**FAST SELECT / SELECTION RAPIDE / SELEZIONE RAPIDA**

	monostable / monostabile / monostabile <b>VK83PNMNC-T</b> 3/2 1/8 NC / NF / NC <b>VK43PNMNC-T</b> 3/2 1/4 NC / NF / NC <b>VK23PNMNC-T</b> 3/2 1/2 NC / NF / NC		bistable / bistabile / bistabile <b>VK85PNB00-T</b> 5/2 1/8 <b>VK45PNB00-T</b> 5/2 1/4 <b>VK25PNB00-T</b> 5/2 1/2
	monostable / monostabile / monostabile <b>VK83PNMNA-T</b> 3/2 1/8 NO / NO / NA <b>VK43PNMNA-T</b> 3/2 1/4 NO / NO / NA <b>VK23PNMNA-T</b> 3/2 1/2 NO / NO / NA		monostable / monostabile / monostabile <b>VK86PNMCC-T</b> 5/3 1/8 CC / CF / CC <b>VK46PNMCC-T</b> 5/3 1/4 CC / CF / CC <b>VK26PNMCC-T</b> 5/3 1/2 CC / CF / CC
	bistable / bistabile / bistabile <b>VK83PNB00-T</b> 3/2 1/8 <b>VK43PNB00-T</b> 3/2 1/4 <b>VK23PNB00-T</b> 3/2 1/2		monostable / monostabile / monostabile <b>VK86PNMCA-T</b> 5/3 1/8 CO / CO / CA <b>VK46PNMCA-T</b> 5/3 1/4 CO / CO / CA <b>VK26PNMCA-T</b> 5/3 1/2 CO / CO / CA
	monostable / monostabile / monostabile <b>VK85PNM00-T</b> 5/2 1/8 <b>VK45PNM00-T</b> 5/2 1/4 <b>VK25PNM00-T</b> 5/2 1/2		monostable / monostabile / monostabile <b>VK86PNMCP-T</b> 5/3 1/8 CP / CP / CP <b>VK46PNMCP-T</b> 5/3 1/4 CP / CP / CP <b>VK26PNMCP-T</b> 5/3 1/2 CP / CP / CP



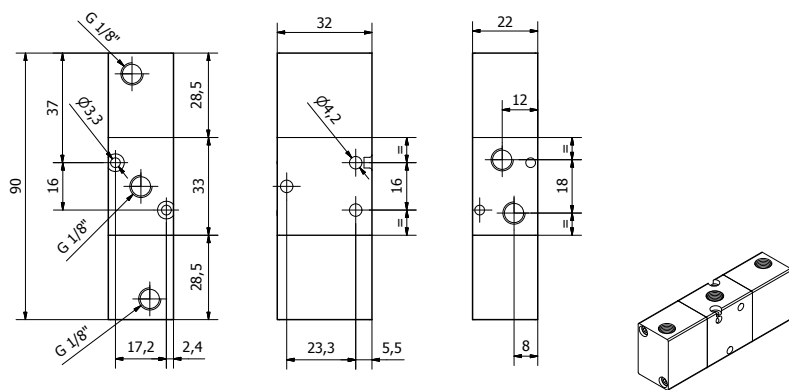
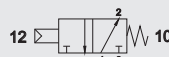
1/8 - 3/2 NC monostable  
**1/8 - 3/2 NF monostable**  
1/8 - 3/2 NC monostabile

CODE  
VK83PNMNC-T



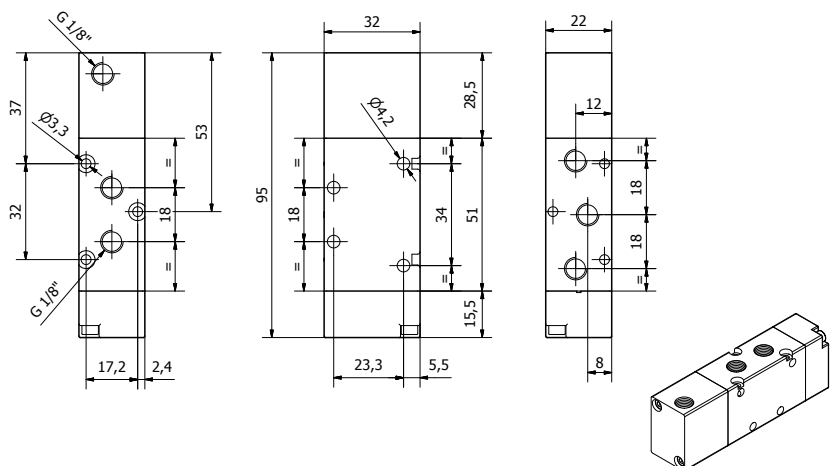
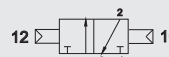
1/8 - 3/2 NO monostable  
**1/8 - 3/2 NO monostable**  
1/8 - 3/2 NA monostabile

CODE  
VK83PNMNA-T



1/8 - 3/2 bistable  
**1/8 - 3/2 bistable**  
1/8 - 3/2 bistabile

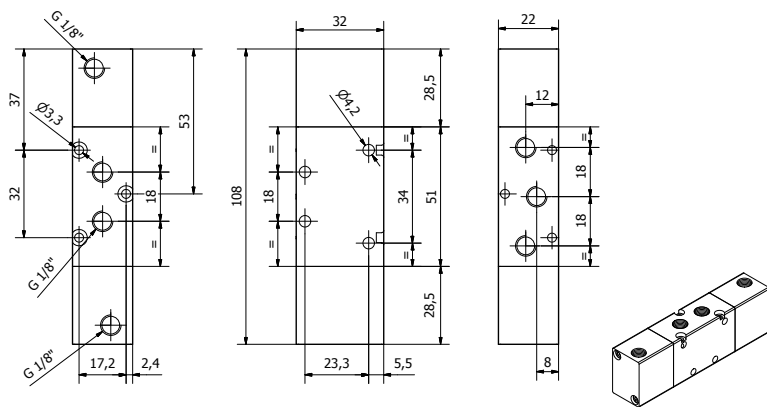
CODE  
VK83PNB00-T



1/8 - 5/2 monostable  
**1/8 - 5/2 monostable**  
1/8 - 5/2 monostabile

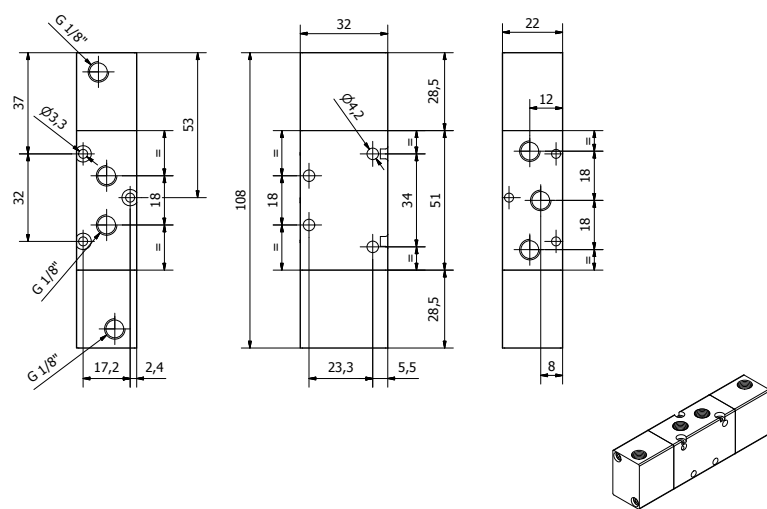
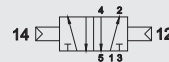
CODE  
VK85PNM00-T





1/8 - 5/2 bistable  
**1/8 - 5/2 bistable**  
1/28 - 5/2 bistabile

CODE  
**VK85PNB00-T**



1/8 - 5/3 monostable  
**1/8 - 5/3 monostable**  
1/8 - 5/3 monostabile

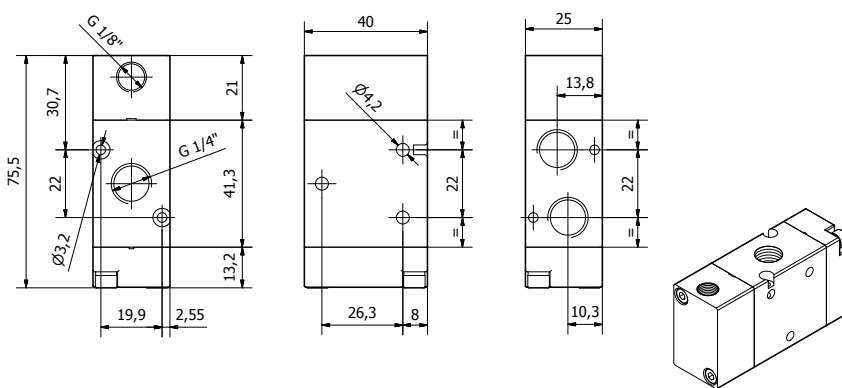
CODE  
**VK86PNMCC-T** CC / CF / CC



CODE  
**VK86PNMCA-T** CO / CO / CA

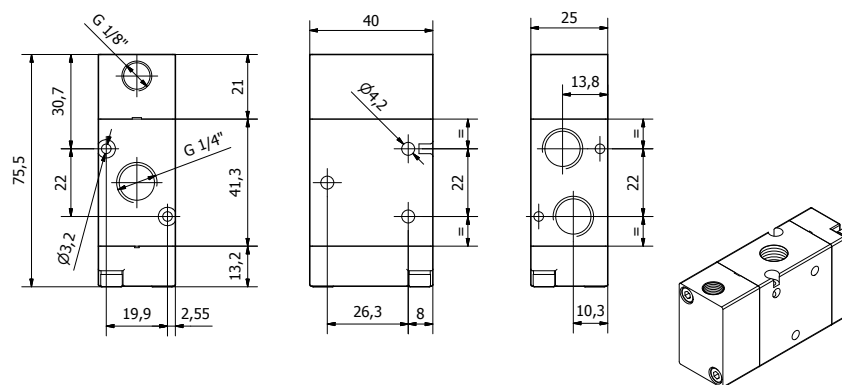
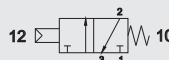


CODE  
**VK86PNMCP-T** CP / CP / CP



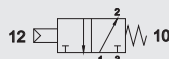
1/4 - 3/2 NC monostable  
**1/4 - 3/2 NF monostable**  
1/4 - 3/2 NC monostabile

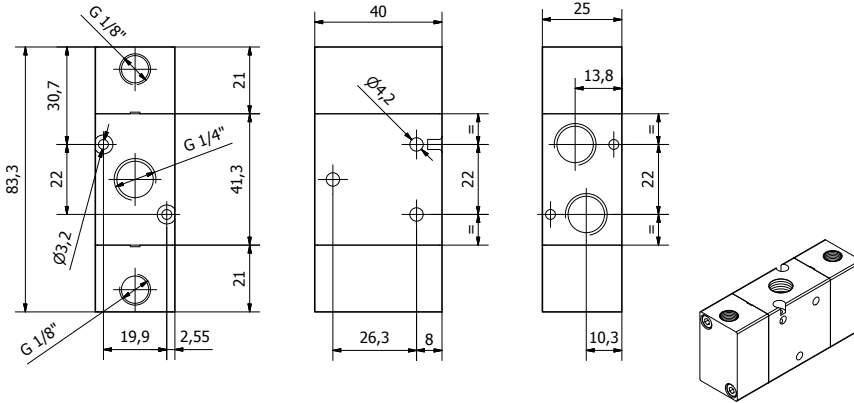
CODE  
**VK43PNMNC-T**



1/4 - 3/2 NO monostable  
**1/4 - 3/2 NO monostable**  
1/4 - 3/2 NA monostabile

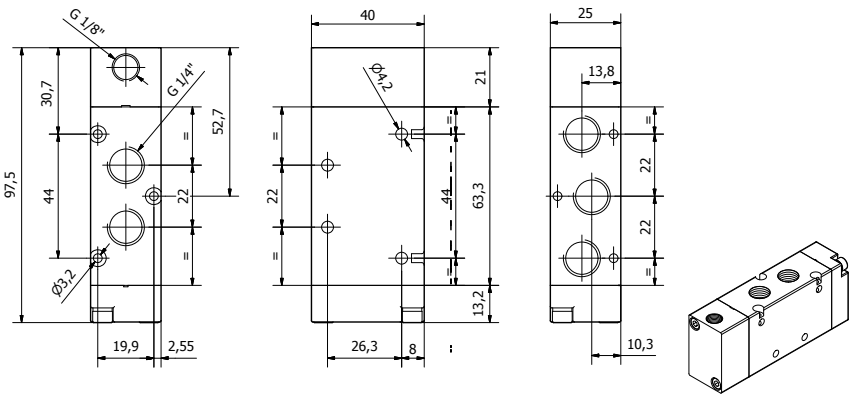
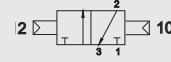
CODE  
**VK43PNMNA-T**





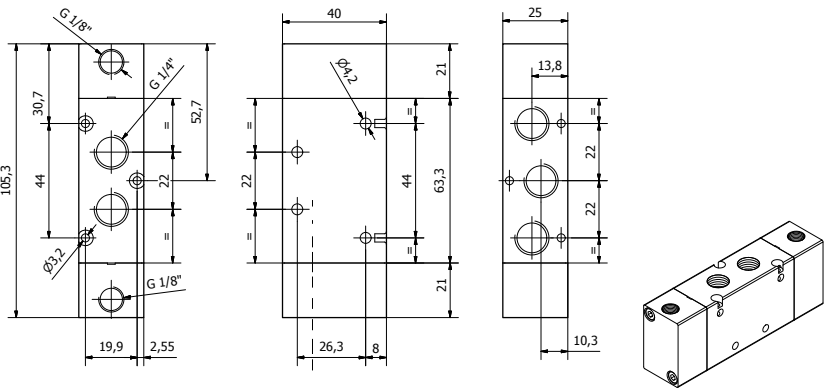
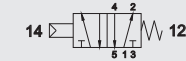
1/4 - 3/2 bistable  
**1/4 - 3/2 bistable**  
1/4 - 3/2 bistabile

CODE  
**VK43PNB00-T**



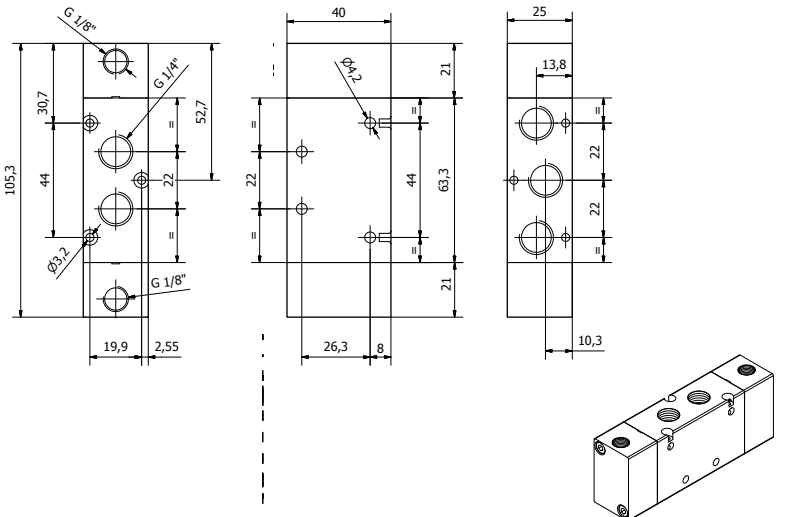
1/4 - 5/2 monostable  
**1/4 - 5/2 monostable**  
1/4 - 5/2 monostabile

CODE  
**VK45PNM00-T**



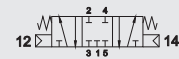
1/4 - 5/2 bistable  
**1/4 - 5/2 bistable**  
1/4 - 5/2 bistabile

CODE  
**VK45PNB00-T**



1/4 - 5/3 monostable  
**1/4 - 5/3 monostable**  
1/4 - 5/3 monostabile

CODE  
**VK46PNMCC-T** CC / CF / CC

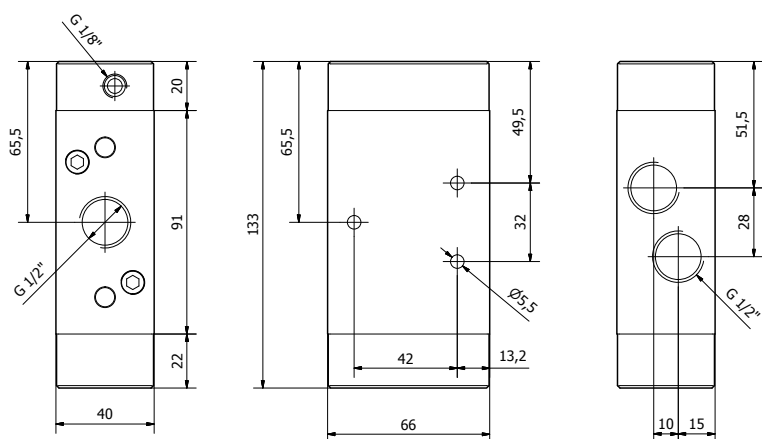


CODE  
**VK46PNMCA-T** CO / CO / CA



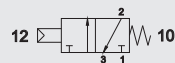
CODE  
**VK46PNMCP-T** CP / CP / CP





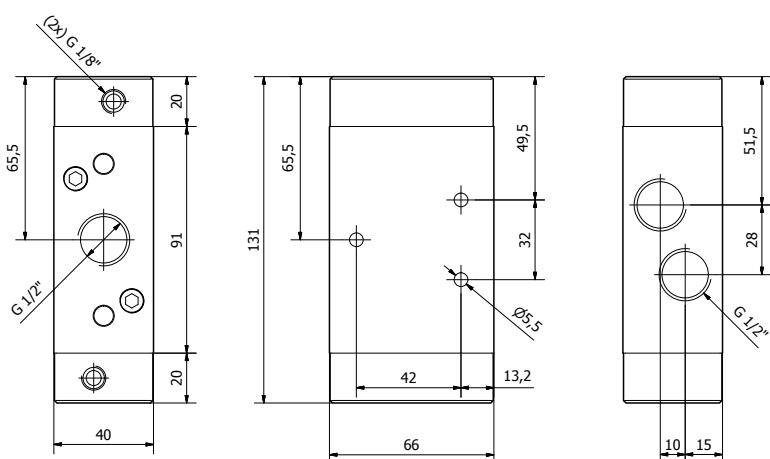
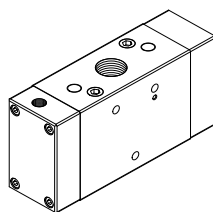
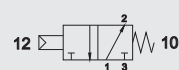
1/2 - 3/2 NC monostable  
**1/2 - 3/2 NF monostable**  
1/2 - 3/2 NC monostabile

**CODE**  
VK23PNMNC-T



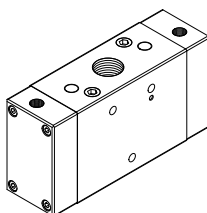
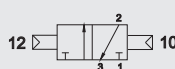
1/2 - 3/2 NO monostable  
**1/2 - 3/2 NO monostable**  
1/2 - 3/2 NA monostabile

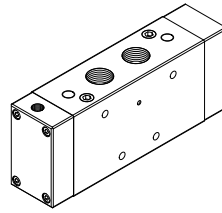
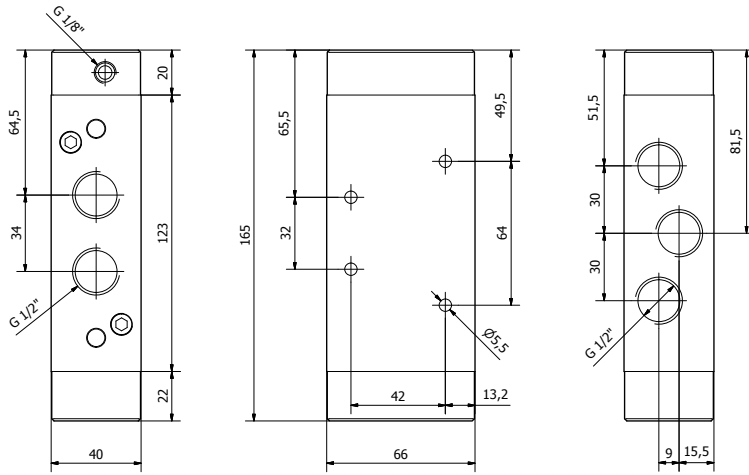
**CODE**  
VK23PNMNA-T



1/2 - 3/2 bistable  
**1/2 - 3/2 bistable**  
1/2 - 3/2 bistabile

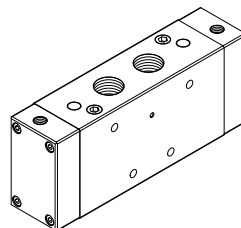
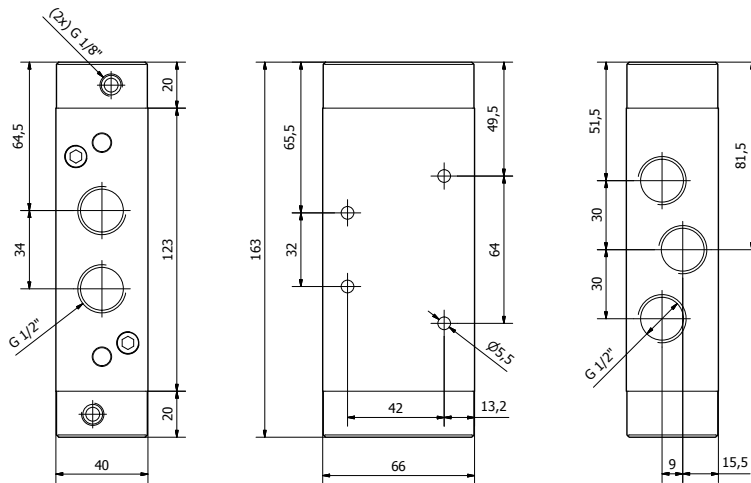
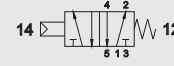
**CODE**  
VK23PNB00-T





1/2 - 5/2 monostable  
**1/2 - 5/2 monostable**  
1/2 - 5/2 monostabile

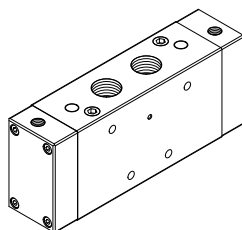
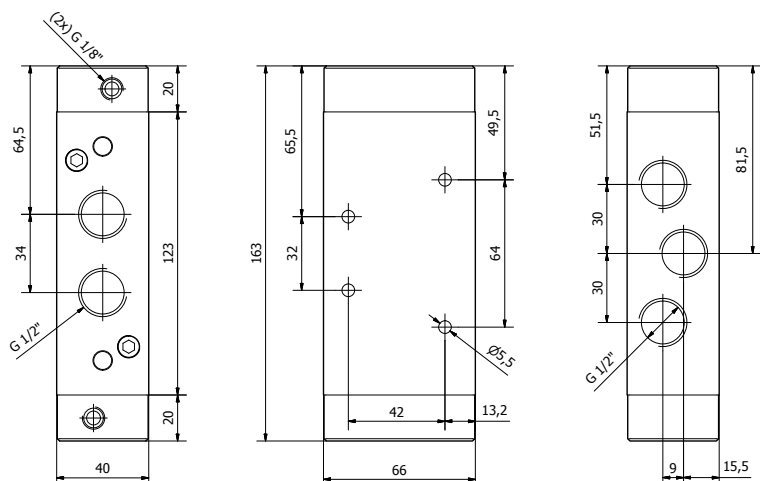
CODE  
**VK25PNM00-T**



1/2 - 5/2 bistable  
**1/2 - 5/2 bistable**  
1/2 - 5/2 bistabile

CODE  
**VK25PNB00-T**



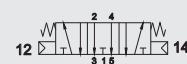


1/2 - 5/3 monostable  
**1/2 - 5/3 monostable**  
1/2 - 5/3 monostabile

**CODE**  
VK26PNMCC-T CC / CF / CC

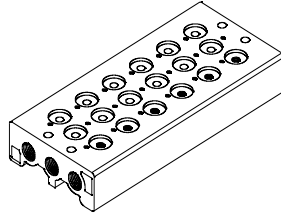
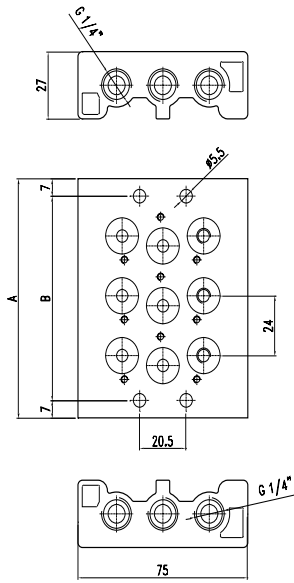


**CODE**  
VK26PNMCA-T CO / CO / CA



**CODE**  
VK26PNMCP-T CP / CP / CP



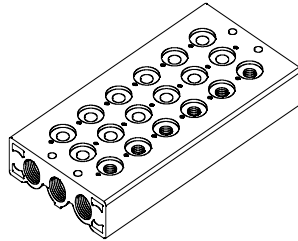
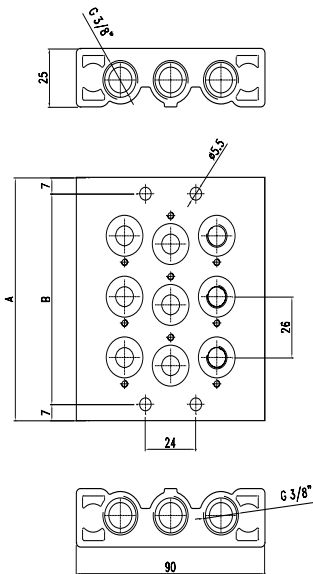


MANIFOLD FOR 1/8 VALVES  
**EMBASE MULTIPLE POUR VALVE 1/8**  
SOTTOBASE PER VALVOLE 1/8

CODE	STATIONS	A	B
SB407202	2	72	58
SB407203	3	96	82
SB407204	4	120	106
SB407205	5	144	130
SB407206	6	168	154
SB407207	7	192	178
SB407208	8	216	202
SB407209	9	240	226
SB407210	10	264	250

Valves / Valves / Valvole

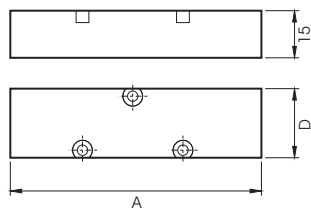
PNEUMATIC ACTUATED VALVES / VALVES PNEUMATIQUE / VALVOLE AD AZIONAMENTO PNEUMATICO



MANIFOLD FOR 1/4 VALVES  
**EMBASE MULTIPLE POUR VALVE EN 1/4**  
SOTTOBASE PER VALVOLE 1/4

CODE	STATIONS	A	B
SB407302	2	78	64
SB407303	3	104	90
SB407304	4	130	116
SB407305	5	156	142
SB407306	6	182	168
SB407307	7	208	194
SB407308	8	234	220
SB407309	9	260	246
SB407310	10	286	272

BLANKING PLATE  
**PLAQUE DE FERMETURE**  
PIASTRINA DI CHIUSURA



CODE	STATIONS	A	D
SB40720004	1/8	60	22
SB40730004	1/4	70	25