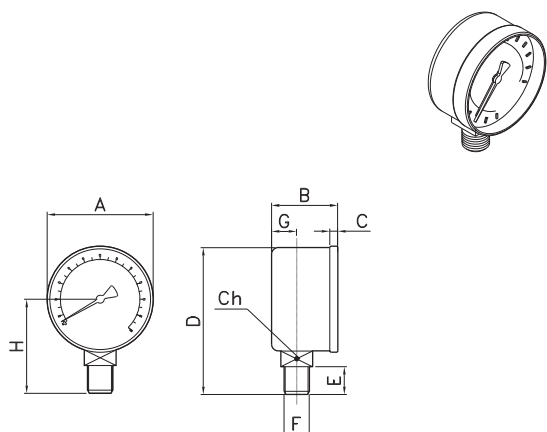


PRESSURE GAUGE BACK CONNECTION
MANOMÈTRE FIXATION DORSALE
MANOMETRO ATTACCO POSTERIORE

CODE	SIZE	REG.
XB1712	D.40 1/8	0-4 bar
XB1716	D.40 1/8	0-6 bar
XB1715	D.40 1/8	0-10 bar
XB1714	D.40 1/8	0-12 bar
XB2116	D.50 1/8	0-6 bar
XB2114	D.50 1/8	0-12 bar

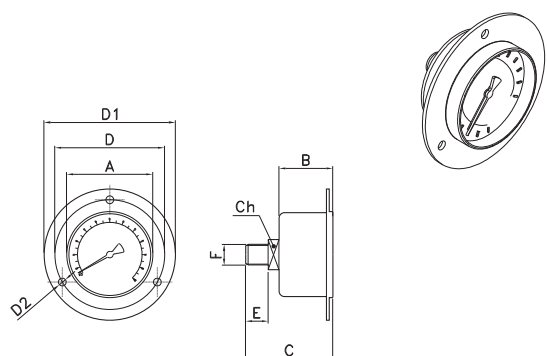
Ø	A	B	C	D	E	F	CH
40	40	25	3	41.5	10	G1/8	12
50	50	26	3.8	47	13	G1/8	14



PRESSURE GAUGE BOTTOM CONNECTION
MANOMÈTRE FIXATION RADIALE
MANOMETRO ATTACCO RADIALE

CODE	SIZE	REG.
XB2216	D.40 1/8	0-6 bar
XB2214	D.40 1/8	0-12 bar
XB2314	D.50 1/8	0-12 bar

Ø	A	B	C	D	E	F	G	H	CH
40	40	23.5	3	56	10	G1/8	9.5	36	12
50	50	26	3.8	70	13	G1/8	10.3	45	14



PRESSURE GAUGE 3 HOLE FLANGE
MANOMÈTRE A COLLERETTE 3 TROUS
MANOMETRO FLANGIA A 3 FORI

CODE	SIZE	REG.
XB2412	D.40 1/8	0-4 bar
XB2416	D.40 1/8	0-6 bar
XB2415	D.40 1/8	0-10 bar
XB2414	D.40 1/8	0-12 bar

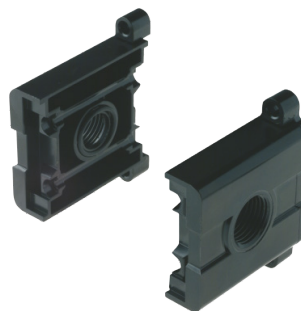
Ø	A	B	C	D	D1	D2	E	F	CH
40	40	26	42.5	51	61	3.6	10	G1/8	12

CONNECTION PLATE / **ELEMENTS DE CONNEXION** / *PIASTRINA DI COLLEGAMENTO*



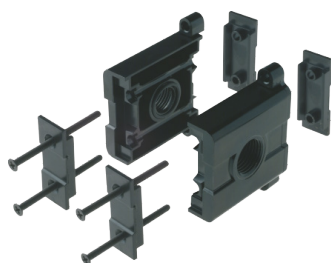
CODE	SIZE
XB0100	0
XB0110	1
XB0120	2
XB0130	3

ENDS UNIT / **CLAVETTE TERMINALE** / *GRUPPO TERMINALI*



CODE	SIZE
XB0211	1 1/8
XB0212	1 1/4
XB0213	1 3/8
XB0222	2 1/4
XB0223	2 3/8
XB0224	2 1/2
XB0234	3 1/2
XB0233	3 3/4
XB0236	3 1"

CONNECTION UNIT / **CLAVETTE DE LIAISON** / *GRUPPO DI COLLEGAMENTO*



CODE	SIZE
XB0311	1 1/8
XB0312	1 1/4
XB0313	1 3/8
XB0322	2 1/4
XB0323	2 3/8
XB0324	2 1/2
XB0334	3 1/2
XB0333	3 3/4
XB0336	3 1"

FILTER RING DEVICE / **CARTOUCHE FILTANTE** / *GRUPPO PORTAFILTRO*



CODE	SIZE
XB0801	0 5 µm
XB0802	0 20 µm
XB0803	0 50 µm
XB0811	1 5 µm
XB0812	1 20 µm
XB0813	1 50 µm
XB0821	2 5 µm
XB0822	2 20 µm
XB0823	2 50 µm
XB0831	3 5 µm
XB0832	3 20 µm
XB0833	3 50 µm

MEMBRANE UNIT / **MEMBRANE** / *GRUPPO MEMBRANA*



CODE	SIZE
XB1800	0
XB1810	1
XB1820	2
XB1830	3

REGISTER SPRING / **RESSORT** / *MOLLA DI REGISTRO*



CODE	SIZE
XB1201	0 0-2 bar
XB1202	0 0-4 bar
XB1203	0 0-8 bar
XB1204	0 0-12 bar
XB1211	1 0-2 bar
XB1212	1 0-4 bar
XB1213	1 0-8 bar
XB1214	1 0-12 bar
XB1221	2 0-2 bar
XB1222	2 0-4 bar
XB1223	2 0-8 bar
XB1224	2 0-12 bar
XB1231	3 0-2 bar
XB1232	3 0-4 bar
XB1233	3 0-8 bar
XB1234	3 0-12 bar

VENTURI UNIT / **VENTURI** / *GRUPPO VENTURI*



CODE	SIZE
XB0900	0
XB0910	1
XB0920	2
XB0930	3

OIL FEEDING DEVICE / DOSEUR D'HUILE / GRUPPO DOSATORE OLIO



CODE	SIZE
XB1000	0
XB1010	1
XB1020	2
XB1030	3

REGULATING DEVICE / CARTOUCHE DE REGULATION / GRUPPO DI REGOLAZIONE



CODE	SIZE
XB1101	0 0-2 bar
XB1102	0 0-4 bar
XB1103	0 0-8 bar
XB1104	0 0-12 bar
XB1111	1 0-2 bar
XB1112	1 0-4 bar
XB1113	1 0-8 bar
XB1114	1 0-12 bar
XB1121	2 0-2 bar
XB1122	2 0-4 bar
XB1123	2 0-8 bar
XB1124	2 0-12 bar
XB1131	3 0-2 bar
XB1132	3 0-4 bar
XB1133	3 0-8 bar
XB1134	3 0-12 bar

REGULATING PLUG UNIT / BOUCHON REGULATEUR / GRUPPO TAPPO REGOLATORE



CODE	SIZE
XB1300	0
XB1310	1
XB1320	2
XB1330	3

SHUTTER + FILTER UNIT / OBTURATEUR + FILTRE / GRUPPO OTTURATORE + FILTRO



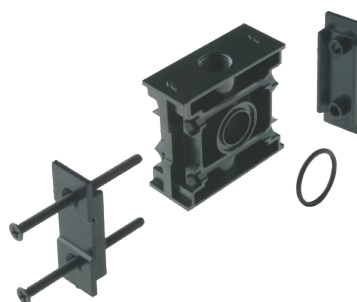
CODE	SIZE
XB1501	0 5 µm
XB1502	0 20 µm
XB1503	0 50 µm
XB1511	1 5 µm
XB1512	1 20 µm
XB1513	1 50 µm
XB1521	2 5 µm
XB1522	2 20 µm
XB1523	2 50 µm
XB1531	3 5 µm
XB1532	3 20 µm
XB1533	3 50 µm

SINTERED FILTER / ELEMENT DE FILTRATION / FILTRO SINTERIZZATO



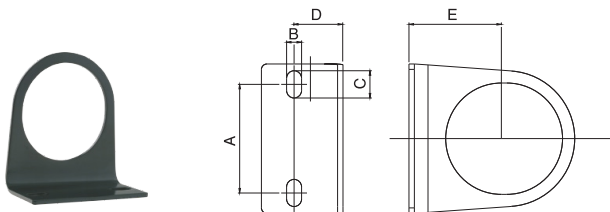
CODE	SIZE
XB1601	0 5 µm
XB1602	0 20 µm
XB1603	0 50 µm
XB1611	1 5 µm
XB1612	1 20 µm
XB1613	1 50 µm
XB1621	2 5 µm
XB1622	2 20 µm
XB1623	2 50 µm
XB1631	3 5 µm
XB1632	3 20 µm
XB1633	3 50 µm

AIR DISTRIBUTOR / DISTRIBUTEUR D'AIR / DISTRIBUTORE D'ARIA



CODE	SIZE
XB1400	0
XB1410	1
XB1420	2
XB1430	3

CLAMP BRACKET / BRIDE DE FIXATION / STAFFA DI FISSAGGIO



CODE	SIZE	A	B	C	D	E
XB1900	0	21,5	5,5	12	15	31
XB1910	1	28	5,5	10	15	29
XB1920	2	40	5,5	10	18	35
XB1930	3	50	5,5	10	20	39

COIL / BOBINE / BOBINA



CODE	SIZE
XB2010	24V DC 3W
XB2020	220V AC 5VA

BOWL FOR FILTER UNIT / BOL POUR FILTRE
GRUPPO TAZZA FILTRO



CODE	SIZE
XB0400	0
XB0410	1
XB0420	2
XB0430	3

BOWL FOR AUTOMATIC CONDENSED EXHAUST / BOL AVEC PURGE AUTOMATIQUE
GRUPPO TAZZA SCARICO CONDENZA AUTOMATICO



CODE	SIZE
XB0520	2
XB0530	3

BOWL FOR LUBRICATOR UNIT / BOL POUR LUBRIFICATEUR
GRUPPO TAZZA LUBRIFICATORE



CODE	SIZE
XB0600	0
XB0610	1
XB0620	2
XB0630	3

BOWL FOR AUTOMATIC OIL LOADING SYSTEM / BOL POUR ENSEMBLE AUTO
BOWL FOR AUTOMATIC / GRUPPO TAZZA CARICAMENTO AUTOMATICO OLIO



CODE	SIZE
XB0710	1
XB0720	2
XB0730	3