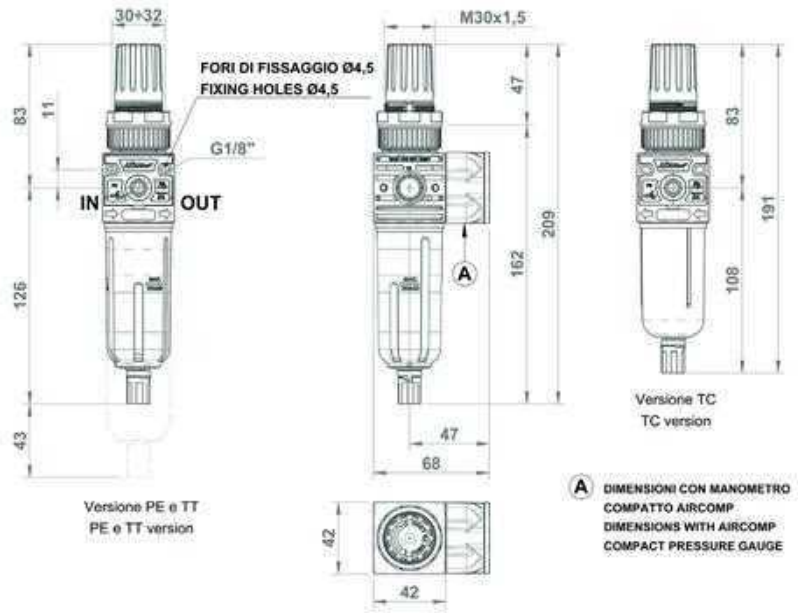


# LINE 042 1/4" | FILTER REGULATORS



## GENERAL FEATURES

High performance modular filter regulator ensuring big flow rate and low load loss.

Relieving for a quick exhaust of the downstream overpressure.

Knob with locking pressure device.

Equipped with semiautomatic drain as standard (SS).

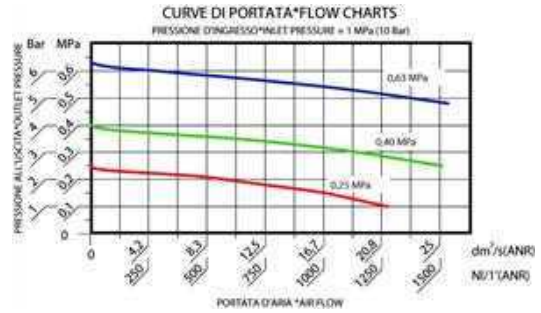
## GENERAL TECHNICAL DATA

<b>Pressure range</b>	0-4; 0-8; 0-12 Bar
<b>Maximum inlet pressure</b>	16 Bar
<b>Drain working pressure</b>	mod. SS: 0,5 - 16 Bar mod. SA: 1,5 - 10 Bar mod. SAD: 2 - 12 Bar
<b>Filtering degree</b>	5 micron; 20 micron
<b>Reference flow rate (P1= 6,3 bar ΔP= 1 bar)</b>	1.200 NI/min
<b>Working temperature (a 10 bar)</b>	-5 / +50°C*
<b>Max Torque G1/4" IN-OUT</b>	25 Nm
<b>Max torque gauge port</b>	<b>round:</b> 1 Nm <b>compact:</b> manual
<b>Bowl capacity</b>	TT = 22cc; PE = 22cc; TC = 15cc
<b>Weight</b>	0,125 kg

Below 3°C the air of the circuit must be free from humidity

## ORDERING CODE

CODE	REF.
042.04.****	FR 1/4" 042 20 08 R TT SS
042.04.00052	FR 1/4" 042 20 12 R TT SS
042.04.00113	FR 1/4" 042 5 08 R TT SS
042.04.00114	FR 1/4" 042 5 12 R TT SS
042.04.00133	FR 1/4" 042 20 08 R TC SS (short bowl)
042.04.00230	FR 1/4" 042 5 08 R TC SS (short bowl)
042.04.00072	FR 1/4" 042 20 08 R PE SS
042.04.00127	FR 1/4" 042 20 12 R PE SS
042.04.00129	FR 1/4" 042 5 08 R PE SS
042.04.00130	FR 1/4" 042 5 12 R PE SS
<b>Float type automatic drain version.</b>	
042.04.00151	FR 1/4" 042 20 08 R TT SA
042.04.00154	FR 1/4" 042 5 08 R TT SA
042.04.00157	FR 1/4" 042 20 08 R PE SA
042.04.00160	FR 1/4" 042 5 08 R PE SA
<b>"Differential" automatic drain version.</b>	
042.04.00238	FR 1/4" 042 20 08 R TT SAD
042.04.00240	FR 1/4" 042 5 08 R TT SAD
042.04.00242	FR 1/4" 042 20 08 R PE SAD
042.04.00244	FR 1/4" 042 5 08 R PE SAD



## GUIDE TO REFERENCES

FR 1/4" 042 20 08 R PE SS

Product

**FR** = Filter regulator

Connection

**1/4"** = G 1/4"  
**3/8"** = G 3/8"  
**1/2"** = G 1/2"  
**3/4"** = G 3/4"  
**1"** = G 1"

Line

**042**  
**050**  
**052**  
**075**  
**080**  
**095**

Filtering element

**5** = 5 micron  
**20** = 20 micron

Condensate Drain

**SS** = Semiautomatic (standard)  
**SA** = Automatic float type  
**SAD** = Automatic differential  
**S18** = Open seat 1/8 F

Tazza

**TT** = Transparent (Line 042 only)  
**TC** = Short transparent (Line 042 only)  
**PE** = With outer guard

Version

**R** = Relieving

Range of pressure

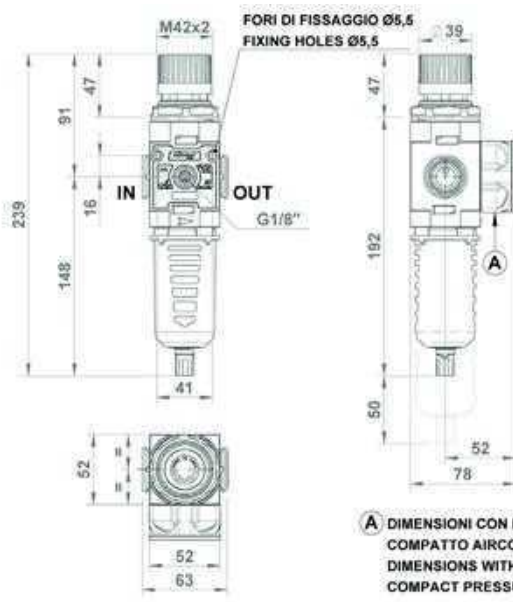
**04** = 0 - 4 Bar  
**08** = 0 - 8 Bar  
**12** = 0 - 12 Bar



WOULD YOU LIKE TO ORDER THE REGULATOR COMPLETE WITH GAUGE?  
Replace 0 with "M" the the 6th digit of the part nr. for example:

042.04.M0072 FR 1/4" 042 20 08R PE SS + GAUGE

# LINE 050 3/8-052 1/2 | FILTER REGULATORS



**A** DIMENSIONI CON MANOMETRO COMPATTO AIRCOMP  
DIMENSIONS WITH AIRCOMP COMPACT PRESSURE GAUGE

## GENERAL FEATURES

High performance modular filter regulator ensuring big flow rate and low load loss.

## GENERAL TECHNICAL DATA

<b>INLET-OUTLET connections</b>	Line 050 3/8" - Line 052 1/2"
<b>Pressure range</b>	0-4; 0-8; 0-12 Bar
<b>Working pressure</b>	0,5 - 12,5 Bar
<b>Drain working pressure</b>	model SA: 1,5 - 10 Bar model SAD: 2 - 12 Bar
<b>Filtering degree</b>	5 micron; 20 micron
<b>Reference flow rate (P1= 6,3 bar ΔP= 1 bar)</b>	2.100 NI/min
<b>Working temperature (a 10 bar)</b>	-5 / +50°C*
<b>Max Torque IN-OUT</b>	3/8" 60 Nm - 1/2" 80 Nm
<b>Max torque gauge port</b>	<b>round:</b> 10 Nm <b>compact:</b> manual
<b>Bowl capacity</b>	42 cc
<b>Weight</b>	0,410 kg

Below 3°C the air of the circuit must be free from humidity

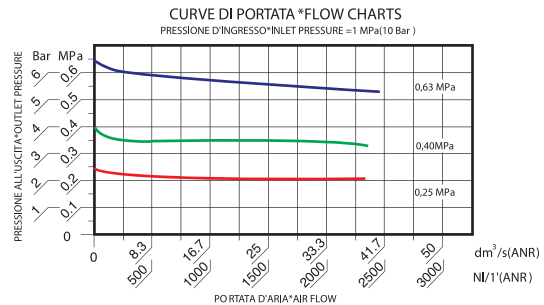
## ORDERING CODE

### LINE 050-3/8

CODE	REF.
050.14.00025	FR 3/8" 050 20 08 R PE SS
050.14.00001	FR 3/8" 050 20 12 R PE SS
050.14.00038	FR 3/8" 050 5 08 R PE SS
050.14.00039	FR 3/8" 050 5 12 R PE SS
<b>Float type automatic drain version.</b>	
050.14.00057	FR 3/8" 050 20 08 R PE SA
050.14.00060	FR 3/8" 050 5 08 R PE SA
<b>"Differential" automatic drain version.</b>	
050.14.00070	FR 3/8" 050 20 08 R PE SAD
050.14.00072	FR 3/8" 050 5 08 R PE SAD

### LINE 052-1/2

CODE	REF.
052.14.00025	FR 1/2" 052 20 08 R PE SS
052.14.00001	FR 1/2" 052 20 12 R PE SS
052.14.00038	FR 1/2" 052 5 08 R PE SS
052.14.00039	FR 1/2" 052 5 12 R PE SS
<b>Float type automatic drain version.</b>	
052.14.00057	FR 1/2" 052 20 08 R PE SA
052.14.00060	FR 1/2" 052 5 08 R PE SA
<b>"Differential" automatic drain version.</b>	
052.14.00063	FR 1/2" 052 20 08 R PE SAD
052.14.00064	FR 1/2" 052 20 12 R PE SAD
052.14.00065	FR 1/2" 052 5 08 R PE SAD
052.14.00066	FR 1/2" 052 5 12 R PE SAD



## GUIDE TO REFERENCES

### FR 1/4" 042 20 08 R PE SS

<b>Product</b> FR = Filter regulator	<b>Condensate Drain</b> SS = Semiautomatic (standard) SA = Automatic float type SAD = Automatic differential S18 = Open seat 1/8 F
<b>Connection</b> 1/4" = G 1/4" 3/8" = G 3/8" 1/2" = G 1/2" 3/4" = G 3/4" 1" = G 1"	<b>Bowl</b> TT = Transparent (Line 042 only) TC = Short transparent (Line 042 only) PE = With outer guard
<b>Line</b> 042 050 052 075 080 095	<b>Version</b> R = Relieving
<b>Filtering element</b> 5 = 5 micron 20 = 20 micron	<b>Range of pressure</b> 04 = 0 - 4 Bar 08 = 0 - 8 Bar 12 = 0 - 12 Bar

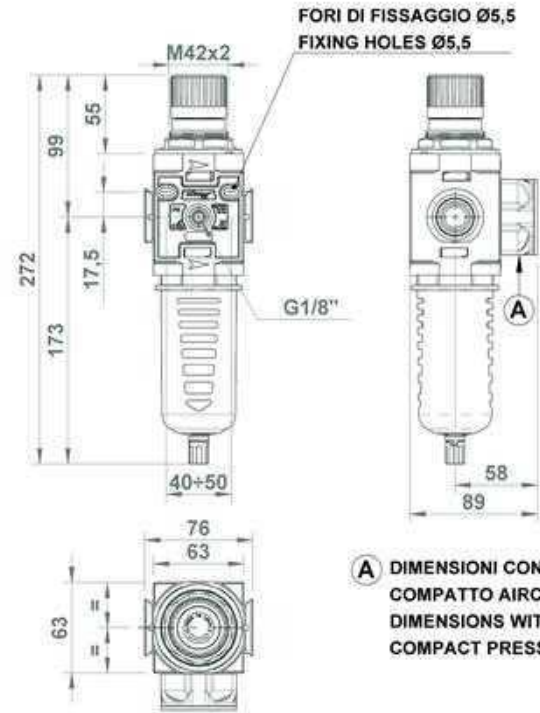


## WOULD YOU LIKE TO ORDER THE REGULATOR COMPLETE WITH GAUGE?

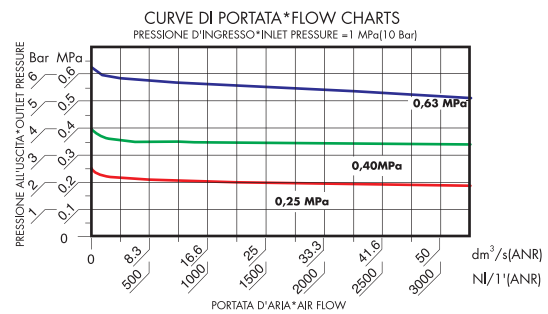
Replace 0 with "M" the the 6th digit of the part nr. for example:

050.14.M0025 FR3/8" 050 20 08R PE SS + GAUGE

# LINE 075 1/2 | FILTER REGULATORS



**A** DIMENSIONI CON MANOMETRO COMPATTO AIRCOMP  
DIMENSIONS WITH AIRCOMP COMPACT PRESSURE GAUGE



## GENERAL FEATURES

High performance modular filter regulator ensuring big flow rate and low load loss.  
Relieving for a quick exhaust of the downstream overpressure.  
Knob with locking pressure device.  
Equipped with semiautomatic drain as standard (SS).  
Available options: float type automatic drain (SA) and differential drain (SAD) that can convey condensate to the outside even when the bowl is pressurized.  
Bowl made from hardened polyamide with outer guard.

## GENERAL TECHNICAL DATA

<b>INLET-OUTLET connections</b>	G1/2"
<b>Pressure range</b>	0-4; 0-8; 0-12 Bar
<b>Working pressure</b>	0,5 - 12,5 Bar
<b>Working pressure with automatic drain</b>	model SA: 1,5 - 10 Bar model SAD: 2 - 12 Bar
<b>Filtering degree</b>	5 micron; 20 micron
<b>Reference flow rate (P1= 6,3 bar ΔP= 1 bar)</b>	2.880 NI/min
<b>Working temperature (a 10 bar)</b>	-5 / +50°C*
<b>Max Torque IN-OUT</b>	1/2" 80 Nm
<b>Max torque gauge port</b>	round: 10 Nm compact: manual
<b>Bowl capacity</b>	100 cc
<b>Weight</b>	0,565 kg

Below 3°C the air of the circuit must be free from humidity

## ORDERING CODE

CODE	REF.
075.14.00025	FR 1/2" 075 20 08 R PE SS
075.14.00053	FR 1/2" 075 20 12 R PE SS
075.14.00062	FR 1/2" 075 5 04 R PE SS
075.14.00063	FR 1/2" 075 5 08 R PE SS
075.14.00064	FR 1/2" 075 5 12 R PE SS
<b>Float type automatic drain version.</b>	
075.14.00026	FR 1/2" 075 20 08 R PE SA
075.14.00065	FR 1/2" 075 20 12 R PE SA
<b>"Differential" automatic drain version.</b>	
075.14.00097	FR 1/2" 075 20 08 R PE SAD
075.14.00098	FR 1/2" 075 20 12 R PE SAD

## GUIDE TO REFERENCES

FR 1/4" 042 20 08 R PE SS

Product

**FR** = Filter regulator

Connection

**1/4"** = G 1/4"  
**3/8"** = G 3/8"  
**1/2"** = G 1/2"  
**3/4"** = G 3/4"  
**1"** = G 1"

Line

**042**  
**050**  
**052**  
**075**  
**080**  
**095**

Filtering element

**5** = 5 micron  
**20** = 20 micron

Condensate Drain

**SS** = Semiautomatic (standard)  
**SA** = Automatic float type  
**SAD** = Automatic differential  
**S18** = Open seat 1/8 F

Bowl

**TT** = Transparent (Line 042 only)  
**TC** = Short transparent (Line 042 only)  
**PE** = With outer guard

Version

**R** = Relieving

Range of pressure

**04** = 0 - 4 Bar  
**08** = 0 - 8 Bar  
**12** = 0 - 12 Bar



WOULD YOU LIKE TO ORDER THE REGULATOR COMPLETE WITH GAUGE?

Replace 0 with "M" the the 6th digit of the part nr. for example:

075.14.M0025 FR1/2" 075 20 08R PE SS + GAUGE

# LINE 095 1" | FILTER REGULATORS

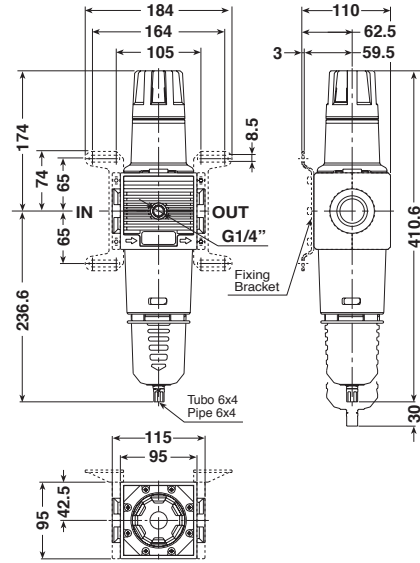
AIR PREPARATION

VALVES

CYLINDERS

FITTINGS

WATER PREPARATION



## GENERAL FEATURES

High performance modular filter regulator ensuring big flow rate and low load loss.  
Relieving for a quick exhaust of the downstream overpressure.  
Knob with locking pressure device.  
Equipped with semiautomatic condensate drain as standard (SS).  
Available options: float type automatic drain (SA) and differential drain (SAD) that can convey condensate to the outside even when the bowl is pressurized.  
Bowl made from hardened polyamide with outer guard.

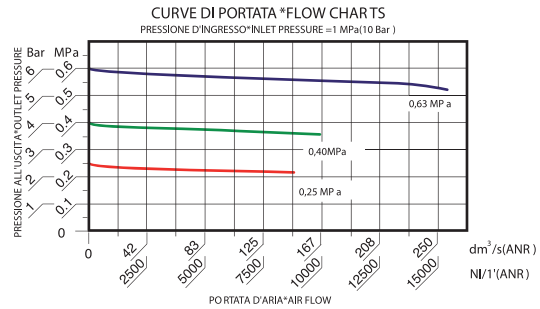
## GENERAL TECHNICAL DATA

<b>INLET-OUTLET connections</b>	1"
<b>Pressure range</b>	0-4; 0-8; 0-12 Bar
<b>Working pressure</b>	0,5 - 12,5 Bar
<b>Working pressure with automatic drain</b>	model SA: 1,5 - 10 Bar model SAD: 2 - 12 Bar
<b>Filtering degree</b>	5 micron; 20 micron
<b>Reference flow rate</b>	(P1= 6,3 bar P= 1bar) :13.800 NI/min
<b>Working temperature (a 10 bar)</b>	-5 / +50°C*
<b>Max Torque IN-OUT</b>	1" 80 Nm
<b>Max torque gauge port</b>	10 Nm
<b>Bowl capacity</b>	200 cc
<b>Weight</b>	2,060 kg

Below 3°C the air of the circuit must be free from humidity

## ORDERING CODE

CODE	REF.
095.04.00002	FR 1" 095 20 04 R PE SS
095.04.00001	FR 1" 095 20 08 R PE SS
095.04.00003	FR 1" 095 20 12 R PE SS
095.04.00005	FR 1" 095 5 04 R PE SS
095.04.00004	FR 1" 095 5 08 R PE SS
095.04.00006	FR 1" 095 5 12 R PE SS
<b>Float type automatic drain version.</b>	
095.04.00007	FR 1" 095 20 08 R PE SA
095.04.00009	FR 1" 095 20 12 R PE SA
<b>"Differential" automatic drain version.</b>	
095.04.00014	FR 1" 095 20 08 R PE SAD
095.04.00015	FR 1" 095 20 12 R PE SAD
095.04.00016	FR 1" 095 5 08 R PE SAD
095.04.00017	FR 1" 095 5 12 R PE SAD



## GUIDE TO REFERENCES

FR 1/4" 042 20 08 R PE SS

Product

**FR** = Filter regulator

Connection

1/4" = G 1/4"  
3/8" = G 3/8"  
1/2" = G 1/2"  
3/4" = G 3/4"  
1" = G 1"

Line

042  
050  
052  
075  
080  
095

Filtering element

5 = 5 micron  
20 = 20 micron

Condensate Drain

**SS** = Semiautomatic (standard)  
**SA** = Automatic float type  
**SAD** = Automatic differential  
**S18** = Open seat 1/8 F

Bowl

**TT** = Transparent (Line 042 only)  
**TC** = Short transparent (Line 042 only)  
**PE** = With outer guard

Version

**R** = Relieving

Range of pressure

**04** = 0 - 4 Bar  
**08** = 0 - 8 Bar  
**12** = 0 - 12 Bar



## WOULD YOU LIKE TO ORDER THE REGULATOR COMPLETE WITH GAUGE?

Replace 0 with "M" the the 6th digit of the part nr. for example:

095.04.M0002 FR 1" 095 20 04 R PE SS + GAUGE