

LINE 125 1/8"-1/4" | SOLENOID AND PNEUMATIC VALVES

AIR PREPARATION

VALVES

CYLINDERS

FITTINGS



GENERAL FEATURES

Construction	spool valve
Body size	22mm
Body material	technopolymer
Single use	YES
Manifold use	YES
Available functions	3/2; 5/2; 5/3

GENERAL TECHNICAL DATA

Fluid	filtered air with or without lubrication
Connections	1/8" - 1/4"
Temperature Range	-5 / +50°C (23 / 122°F) Please note: Below 3°C the air of the circuit must be free from humidity
Reference Flow Rate	P1= 6 bar; Δ P= 1 bar; 5/2= 800 l/min 5/3= 750 l/min 3/2=800 l/min

GUIDE TO REFERENCES

EVR 1/4" 22 5 SL PM 00 P

Product
EVR = Solenoid valves
VPR = Pneumatic valves

Connection
1/8" = G1/8"
1/4" = G1/4"

Size
22 = 22 mm

Function
3 = 3/2
5 = 5/2
6 = 5/3

Material
P = Technopolymer

Option
NC = Normally closed
NO = Normally opened
CP = Closed centres
OO = Opened centres

Return
PM = Pneum. mech. spring
BS = Bistable
RC = Return to centre
DF = Differential
ML = Spring

Operation
PN = Pneumatic
SL = Solenoid
SA = Assisted solenoid with M5

HOW ORDERING A SOLENOID VALVE WITH COIL:

Step 1. Choose the valve without coil

Example of a valve without coil: cod. 1252135001 ref. EVR 1/4" 22 5 SL PM 00 P

Step 2. Replace the 8th digit with the number corresponding to the required voltage

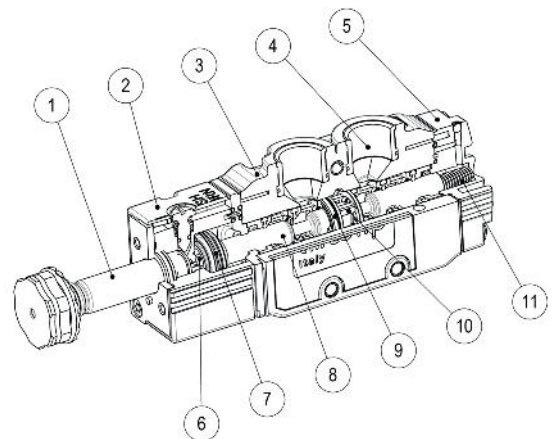
1 2 5 2 1 3 5 0 1

- 0** = Valve without coil
- 1** = 12V DC
- 2** = 24V DC
- 6** = 24V AC
- 7** = 110V AC
- 8** = 220V AC

Example of valve with coil: cod. 1252135201 ref. EVR 1/4" 225 SL PM 00 P 24VDC

USED MATERIALS

- | | |
|--|--|
| 1. Operator -Brass, Stainless steel | 7. Piston gasket -NBR |
| 2. Operator body -POM | 8. Spool -Nickel Plated Aluminium |
| 3. Body valve -PBT+FV | 9. Seals - NBR |
| 4. Insert -Brass | 10. Spacers -Brass |
| 5. Base command -PA+FV | 11. Spring -Stainless steel |
| 6. Piston -POM | |



LINE 125 1/8"-1/4" | SOLENOID VALVES

3/2 SINGLE SOLENOID VALVES



	CODE	REFERENCES
	1252123001	EVR 1/8" 22 3 SL PM NC P
	1252133001	EVR 1/4" 22 3 SL PM NC P
	1252123002	EVR 1/8" 22 3 SL PM NO P
	1252133002	EVR 1/4" 22 3 SL PM NO P

TECHNICAL DATA

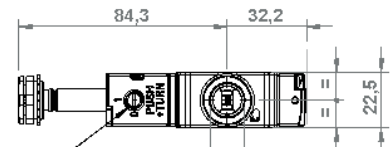
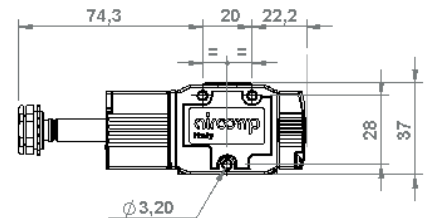
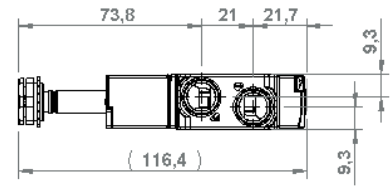
Working pressure 1÷10 bar (0,10÷1,00 Mpa)

Voltage 12V DC, 24V DC, 24V AC, 110V AC, 220V AC

Manual override Mono-bistable

Weight 0,104 kg

Coil is supplied separately page 2.60



Comando manuale
Manual override

Tutte le connessioni
All ports
G1/8 (1/8")
G1/4 (1/4")

3/2 DOUBLE SOLENOID VALVES



	CODE	REFERENCES
	1252123003	EVR 1/8" 22 3 SL BS OO P
	1252133003	EVR 1/4" 22 3 SL BS OO P

TECHNICAL DATA

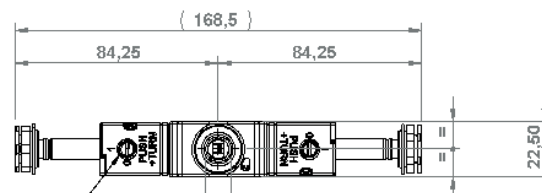
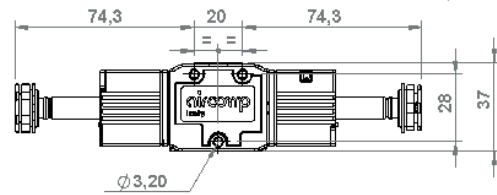
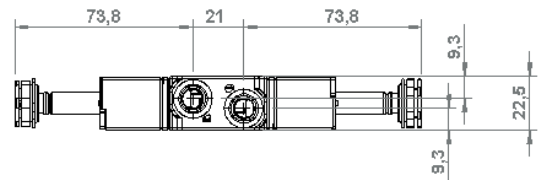
Working pressure 0,50÷10 bar (0,05÷1,00 Mpa)

Voltage 12V DC, 24V DC, 24V AC, 110V AC, 220V AC

Manual override Mono-bistable

Weight 0,137 kg

Coil is supplied separately page 2.60



Comando manuale
monostabile/bistabile

Monostabile/bistabile
manual override

Tutte le porte
All ports
G1/8" (1/8")
G1/4" (1/4")

LINE 125 EVR 1/8"-1/4" | SOLENOID VALVES

5/2 SINGLE SOLENOID VALVES



	CODE	REFERENCES
	1252125001	EVR 1/8" 22 5 SL PM OO P
	1252135001	EVR 1/4" 22 5 SL PM OO P

TECHNICAL DATA

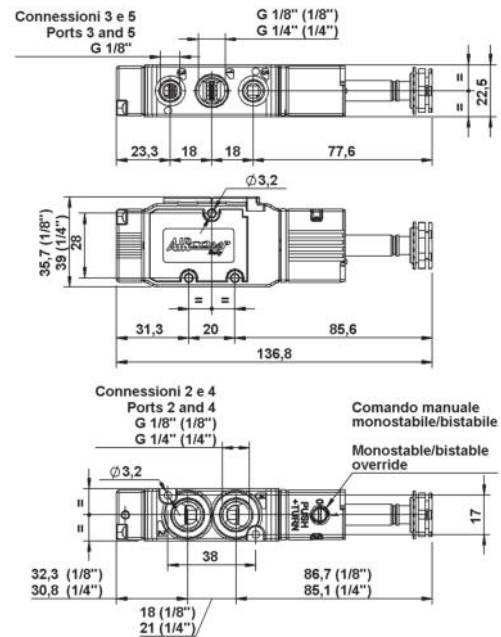
Working pressure 1÷10 Bar (0,10÷1,00 MPa)

Voltage 24DC, 24V AC, 110V, 220V AC

Manual override Mono - bistable

Weight 0,106 kg

Coil is supplied separately page 2.60



PILOT ASSISTED 3/2 DOUBLE SOLENOID VALVES



	CODE	REFERENCES
	1252125002	EVR 1/8" 22 5 SL BS OO P
	1252135002	EVR 1/4" 22 5 SL BS OO P
	1252126001	EVR 1/8" 22 6 SL RC CC P
	1252136001	EVR 1/4" 22 6 SL RC CC P
	1252126002	EVR 1/8" 22 6 SL RC CA P
	1252136002	EVR 1/4" 22 6 SL RC CA P
	1252126003	EVR 1/8" 22 6 SL RC CP P
	1252136003	EVR 1/4" 22 6 SL RC CP P

TECHNICAL DATA

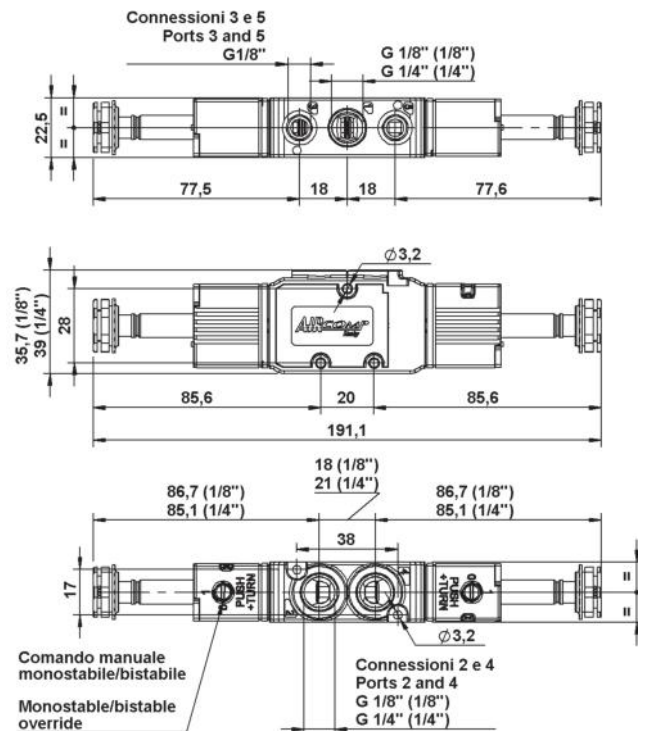
Working pressure 5/2=0,50÷10 bar (0,050÷1 MPa)
5/3=2÷10 bar (0,20÷1 MPa)

Voltage 24DC, 24V AC, 110V, 220V AC

Manual override Mono - bistable

Weight 0,136 kg

Coil is supplied separately page 2.60



LINE 125 EVR 1/8"-1/4" | SOLENOID VALVES

PILOT ASSISTED, 3/2 SINGLE SOLENOID VALVES



	CODE	REFERENCES
	1252123004	EVR 1/8" 22 3 SA ML NC P
	1252133004	EVR 1/4" 22 3 SA ML NC P
	1252123005	EVR 1/8" 22 3 SA ML NO P
	1252133005	EVR 1/4" 22 3 SA ML NO P

TECHNICAL DATA

Working pressure 0÷10 bar (0÷1,00 Mpa)

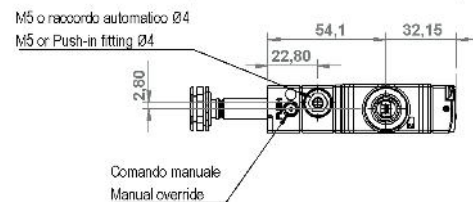
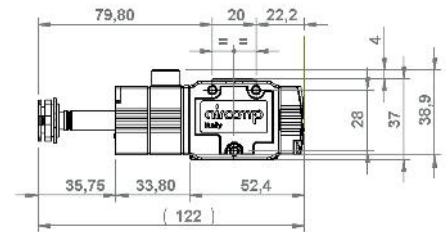
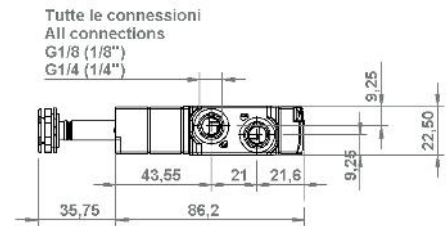
Actuating pressure (separate air supply)
1÷10 bar (0,10÷1,00 Mpa)

Voltage 12V DC, 24V DC, 24V AC, 110V AC, 220V AC

Manual override Monostable

Weight 0,107 kg

Coil is supplied separately page 2.60



SOLENOID VALVES 3/2 BISTABLE PILOT ASSISTED



	CODE	REFERENCES
	1252123006	EVR 1/8" 22 3 SA BS OO P
	1252133006	EVR 1/4" 22 3 SA BS OO P

TECHNICAL DATA

Working pressure 0÷10 bar (0÷1,00 Mpa)

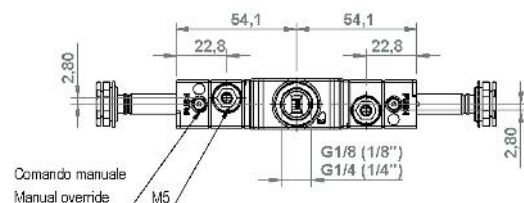
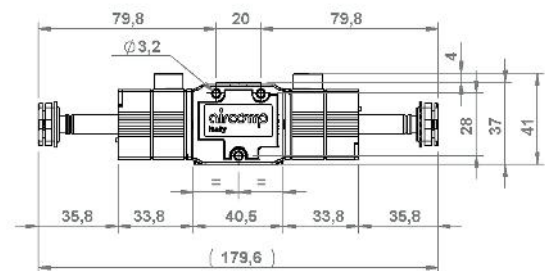
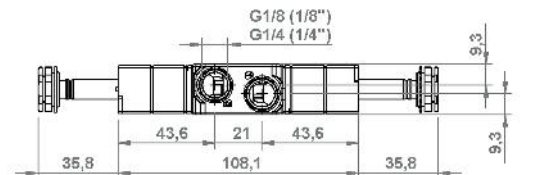
Actuating pressure (separate air supply)
0,50÷10 bar (0,05÷1,00 Mpa)

Voltage 12V DC, 24V DC, 24V AC, 110V AC, 220V AC

Manual override Monostable

Weight 0,148 kg

Coil is supplied separately page 2.60



LINE 125 EVR 1/8"-1/4" | SOLENOID VALVES

PILOT ASSISTED, 5/2 SINGLE SOLENOID VALVES



	CODE	REFERENCES
	1252125003	EVR 1/8" 22 5 SA ML OO P
	1252135003	EVR 1/4" 22 5 SA ML OO P

TECHNICAL DATA

Working pressure 0÷10 Bar (0÷1,00 MPa)

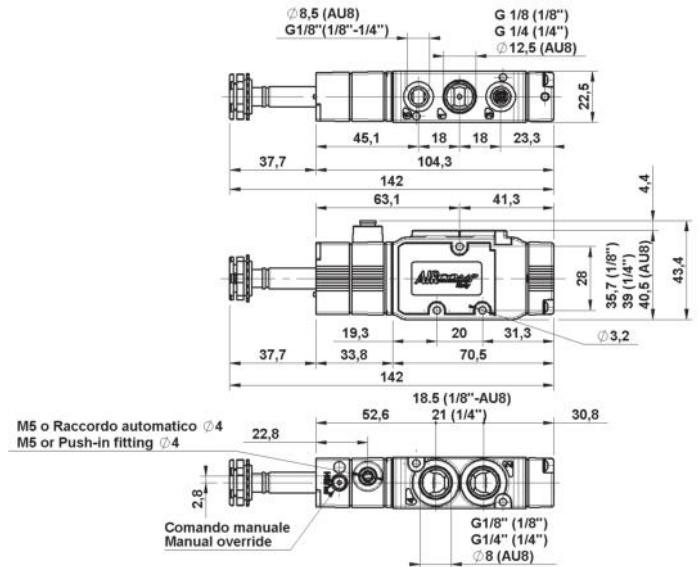
Actuating pressure (separate air supply)
1÷10 Bar (0,10÷1,00 MPa)

Voltage 24DC, 24V AC, 110V, 220V AC

Manual override Monostable

Weight 0,107 kg

Coil is supplied separately page 2.60



PILOT ASSISTED, 5/2 - 5/3 DOUBLE SOLENOID VALVES



	CODE	REFERENCES
	1252125004	EVR 1/8" 22 5 SA BS OO P
	1252135004	EVR 1/4" 22 5 SA BS OO P
	1252126004	EVR 1/8" 22 6 SA RC CC P
	1252136004	EVR 1/4" 22 6 SA RC CC P
	1252126005	EVR 1/8" 22 6 SA RC CA P
	1252136005	EVR 1/4" 22 6 SA RC CA P
	1252126006	EVR 1/8" 22 6 SA RC CP P
	1252136006	EVR 1/4" 22 6 SA RC CP P

TECHNICAL DATA

Working pressure (5/2 - 5/3) 0÷10 Bar (0÷1,00 MPa)

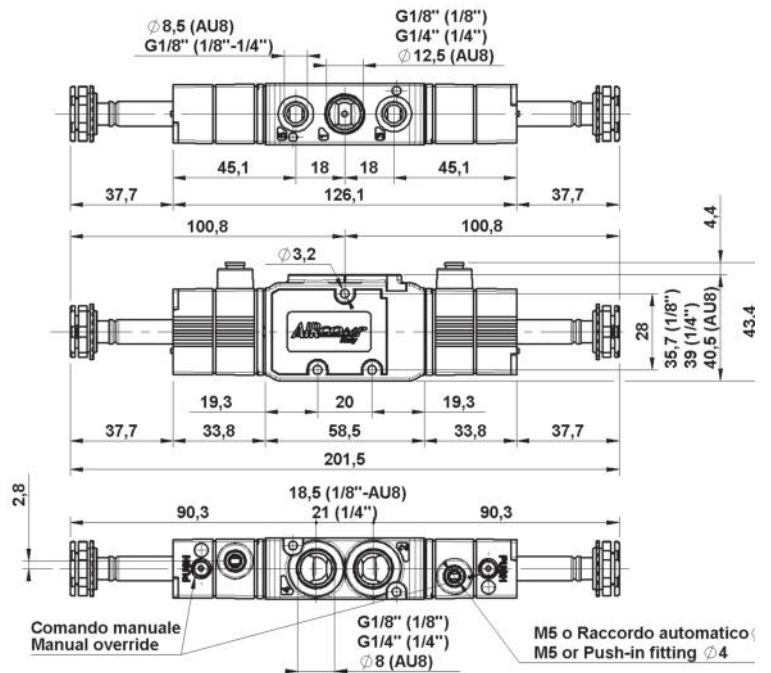
Actuating pressure (separate air supply)
5/2= 0,5÷10 Bar (0,05÷1,00 MPa)
5/3= 2÷10 bar (0,20÷1 MPa)

Voltage 24DC, 24V AC, 110V, 220V AC

Manual override Monostable

Weight 0,136 kg

Coil is supplied separately page 2.60



LINE 125 VPR 1/8"-1/4" | PNEUMATIC VALVES

3/2 SINGLE PNEUMATIC VALVES



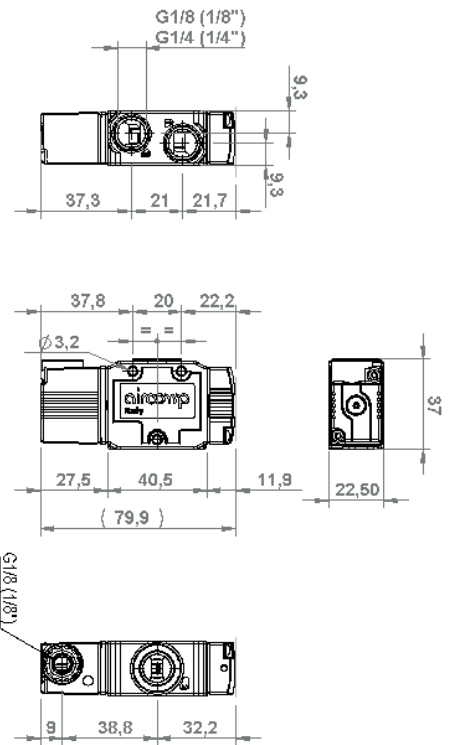
	CODE	REFERENCES
	1252223001	VPR 1/8" 22 3 PN PM NC P
	1252233001	VPR 1/4" 22 3 PN PM NC P
	1252223002	VPR 1/8" 22 3 PN PM NO P
	1252233002	VPR 1/4" 22 3 PN PM NO P

TECHNICAL DATA

Working pressure 1÷10 bar (0,10÷1,00 Mpa)

Pilot operating pressure 1÷10 bar (0,10÷1,00 Mpa)

Weight 0,083 kg



3/2 DOUBLE PNEUMATIC VALVES



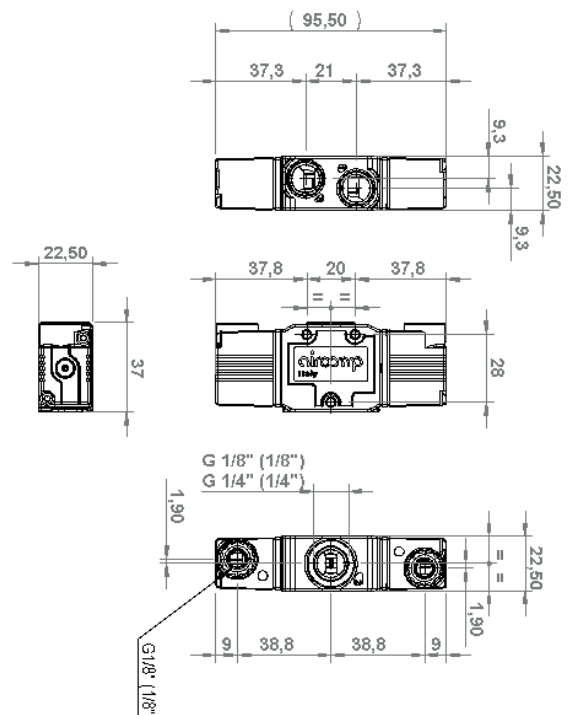
	CODE	REFERENCES
	1252223003	VPR 1/8" 22 3 PN BS OO P
	1252233003	VPR 1/4" 22 3 PN BS OO P

TECHNICAL DATA

Working pressure 0÷10 bar (0÷1,00 Mpa)

Pilot operating pressure 0,50÷10 bar (0,05÷1,00 Mpa)

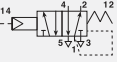
Weight 0,096 kg



LINE 125 VPR 1/8"-1/4" | PNEUMATIC VALVES

5/2 SINGLE PNEUMATIC VALVES



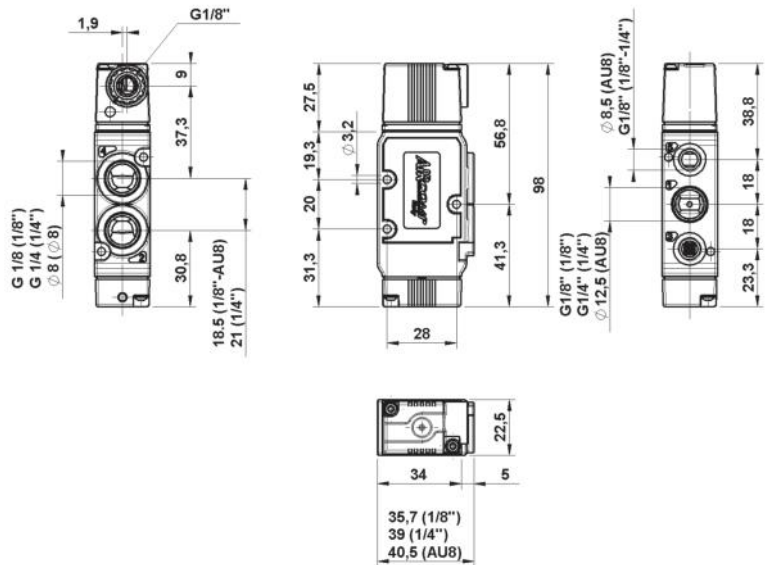
CODE	REFERENCES
 1252225001	VPR 1/8" 22 5 PN PM OO P
1252235001	VPR 1/4" 22 5 PN PM OO P

TECHNICAL DATA

Working pressure 1÷10 Bar (0,10÷1,00 MPa)

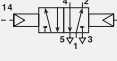
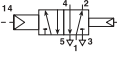
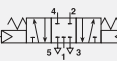
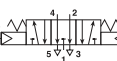
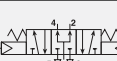
Operating pressure 1÷10 Bar (0,10÷1,00 MPa)

Weight 0,097 kg



5/2 - 5/3 DOUBLE PNEUMATIC VALVES



CODE	REFERENCES
 1252225002	VPR 1/8" 22 5 PN BS OO P
1252235002	VPR 1/4" 22 5 PN BS OO P
 1252225003	VPR 1/8" 22 5 PN DF OO P
1252235003	VPR 1/4" 22 5 PN DF OO P
 1252226001	VPR 1/8" 22 6 PN RC CC P
1252236001	VPR 1/4" 22 6 PN RC CC P
 1252226002	VPR 1/8" 22 6 PN RC CA P
1252236002	VPR 1/4" 22 6 PN RC CA P
 1252226003	VPR 1/8" 22 6 PN RC CP P
1252236003	VPR 1/4" 22 6 PN RC CP P

TECHNICAL DATA

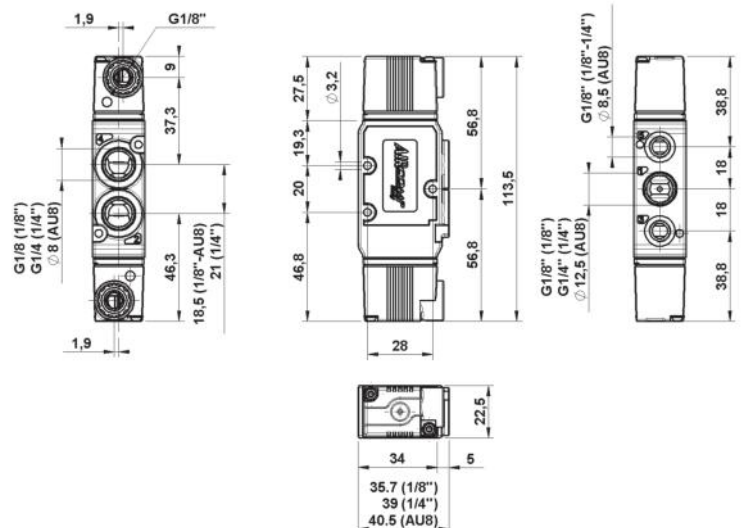
Working pressure 0÷10 Bar (0÷1,00 MPa)

Operating pressure

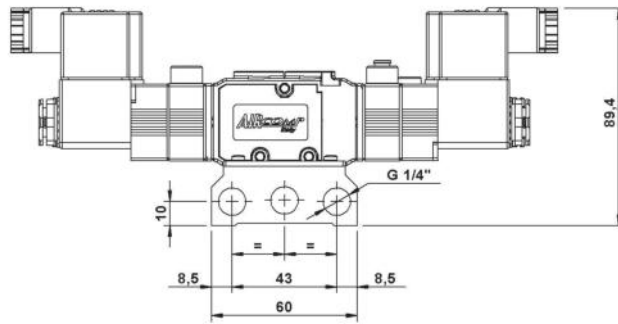
5/2: 0,5÷10 Bar (0,05÷1,00 MPa)

5/3: 2÷10 bar (0,20÷1 MPa)

Weight 0,121 kg

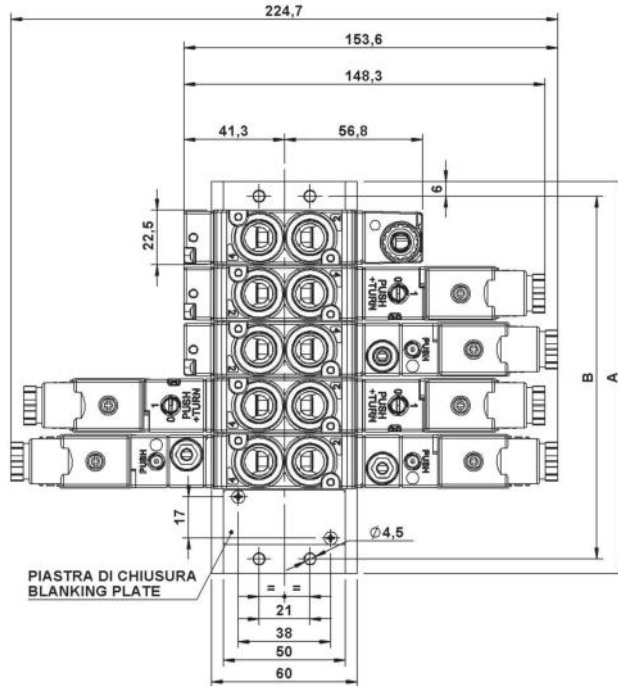


LINE 125 1/4"-1/8" | VALVES MANIFOLD



DIMENSIONS

N° OF STATIONS	A	B
2	69	57
3	92	80
4	115	103
5	138	126
6	161	149
7	184	172
8	207	195
9	230	218
10	253	241



- VALVOLA PNEUMATICA MONOSTABILE
- VALVOLA ELETTRICO-PNEUMATICA MONOSTABILE
- VALVOLA ELETTRICO-PNEUMATICA MONOSTABILE A.S.*
- VALVOLA ELETTRICO-PNEUMATICA BISTABILE
- VALVOLA ELETTRICO-PNEUMATICA BISTABILE A.S.*

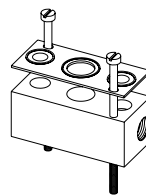
*A.S.: ALIMENTAZIONE SEPARATA

MANIFOLD



CODE	REF.	LINE
1325A00002	MANIFOLD STB 1/4" 22 2 POS	125 -127 - 128
1325A00003	MANIFOLD STB 1/4" 22 3 POS	125 -127 - 128
1325A00004	MANIFOLD STB 1/4" 22 4 POS	125 -127 - 128
1325A00005	MANIFOLD STB 1/4" 22 5 POS	125 -127 - 128
1325A00006	MANIFOLD STB 1/4" 22 6 POS	125 -127 - 128
1325A00007	MANIFOLD STB 1/4" 22 7 POS	125 -127 - 128
1325A00008	MANIFOLD STB 1/4" 22 8 POS	125 -127 - 128
1325A00009	MANIFOLD STB 1/4" 22 9 POS	125 -127 - 128
1325A00010	MANIFOLD STB 1/4" 22 10POS	125 -127 - 128

SEPARATE FEED KIT



CODE	REF.	LINE
1325C00001	Separate feed KIT	125 -127

SPARE PARTS



CODE	REF.	CONF.
1325A00012	Manifold seal	20 pieces



CODE	REF.	CONF.
1325A00017	Manifold screw	20 pieces

BLANKING PLATE KIT



CODE	REF.	LINEA
1325A00013	BLANKING PLATE KIT	125 -127 - 128