

LINE 100-120-125-127 VALVES FOR PANEL MOUNTING ACTUATORS

AIR PREPARATION

VALVES

CYLINDERS

FITTINGS



GENERAL FEATURES

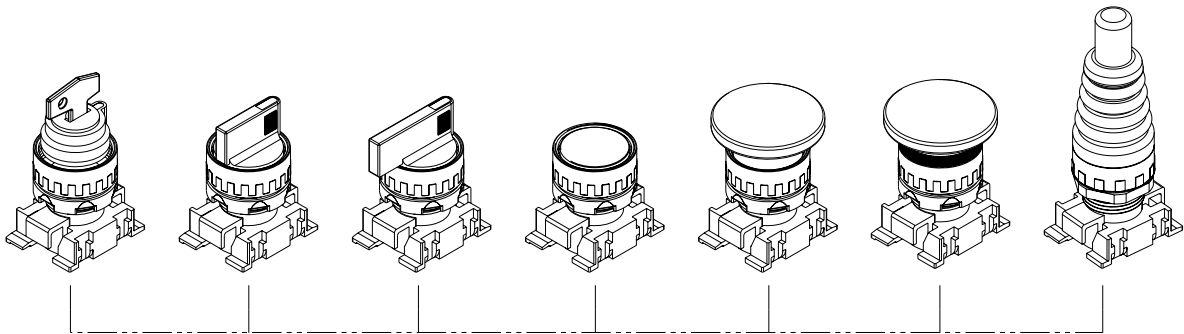
	line 100	line 120 125 127
Construction	poppet type	spool
Body material	technopolymer	technopolymer / aluminium
Single use	yes	yes
Combined use	yes	no
Available functions	2/2 - 3/2	3/2 - 5/2
Installation	through-wall panel actuator	

POSSIBLE COMBINATIONS EXAMPLE

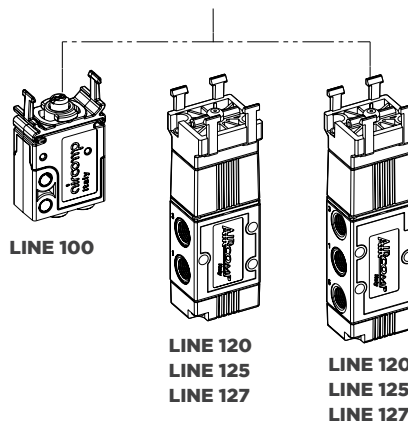
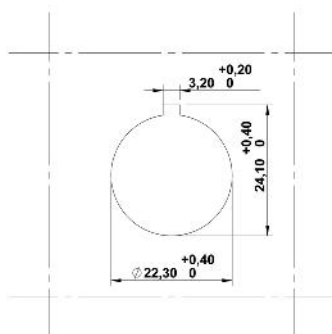


GENERAL TECHNICAL DATA

	line 100	line 120 125 127
Fluid	air	air
Connections	M5 - AU4	1/8 - 1/4
Temperature Range	-5 / +50°C (23 / 122°F) Please note: Below 3°C the air of the circuit must be free from humidity	
Working Pressure	2 - 10 bar	1 - 10 bar
Reference Pressure	75 l/min	670; 800; 800 l/min



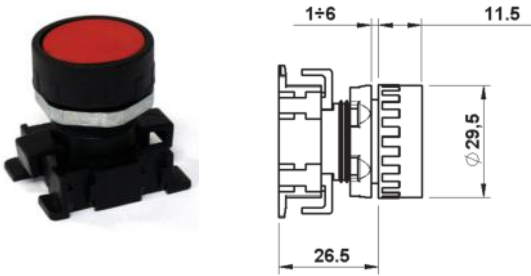
DRILLING MEASURES



LINE 100-120-125-127 | PANEL ACTUATORS

PROTECTED PUSH BUTTON

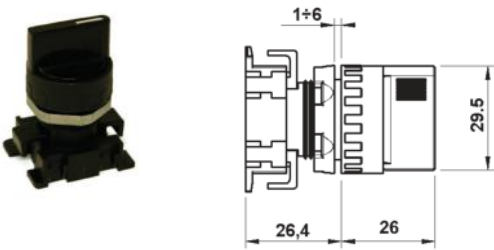
Technopolymer body, round front element



COLOR	CODE	REF.
RED	1003A00074	RT010 PULSANTE + COVER
BLACK	1003A00075	RT010 PULSANTE + COVER
YELLOW	1003A00076	RT010 PULSANTE + COVER
GREEN	1003A00077	RT010 PULSANTE + COVER
WHITE	1003A00078	RT010 PULSANTE + COVER
BLUE	1003A00079	RT010 PULSANTE + COVER

2 - 3 POSITIONS SHORT LEVER SELECTOR

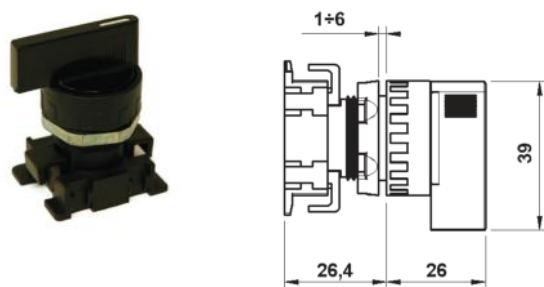
Technopolymer body, round front element.



POSITION	CODE	REF.
	1003A00031	RT300N SELECTOR (2 FIXED POSITIONS)
	1003A00033	RT350N SELECTOR (2 RETURN POSITION)
	1003A00034	RT313N SELECTOR (3 FIXED POSITIONS)
	1003A00035	RT383N SELECTOR (3 RETURN TO CENTRE POSITION)

2 - 3 POSITIONS LONG LEVER SELECTOR

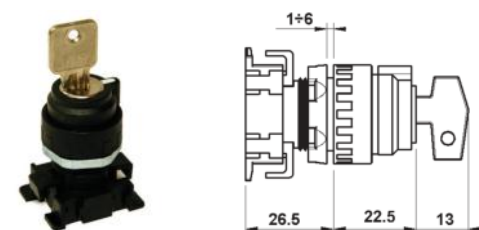
Technopolymer body, round front element.



POSITION	CODE	REF.
	1003A00036	RT400N SELECTOR (2 FIXED POSITIONS)
	1003A00037	RT450N SELECTOR (2 RETURN POSITION)
	1003A00038	RT413N SELECTOR (3 FIXED POSITIONS)
	1003A00039	RT483N SELECTOR (3 RETURN TO CENTRE POSITION)

2 POSITIONS KEY SELECTOR

Technopolymer body, round front element



POSITION	CODE	REF.
	1003A00031	RT201N SELECTOR (2 FIXED POSITIONS)

LINE 100-120-125-127 | PANEL ACTUATORS

AIR PREPARATION

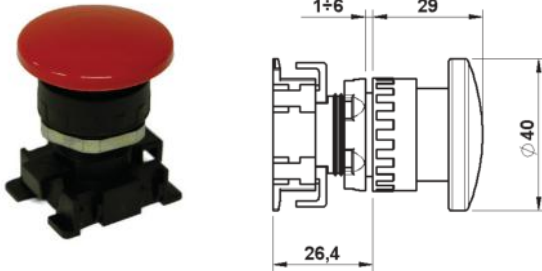
VALVES

CYLINDERS

FITTINGS

AXIAL MUSHROOM

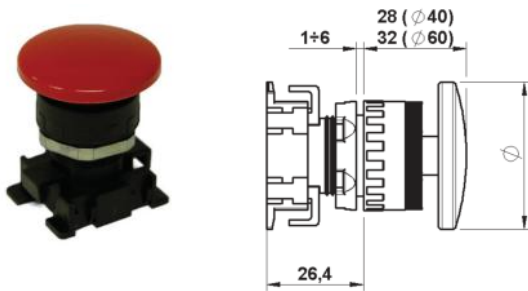
Technopolymer body, round front element.



COLOR	CODE	REF.
RED	1003A00041	RT050R MUSHROOM
BLACK	1003A00042	RT050N MUSHROOM

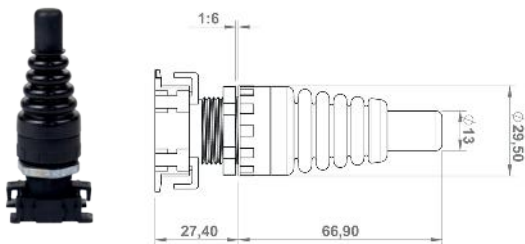
AXIAL MUSHROOM WITH TURN RESET

Technopolymer body, round front element.



COLOR	CODE	REF.
RED	1003A00052	RT065R - 40 MUSHROOM (DIAM. 40mm)
RED	1003A00057	RT065R - 60 MUSHROOM (DIAM. 60mm)

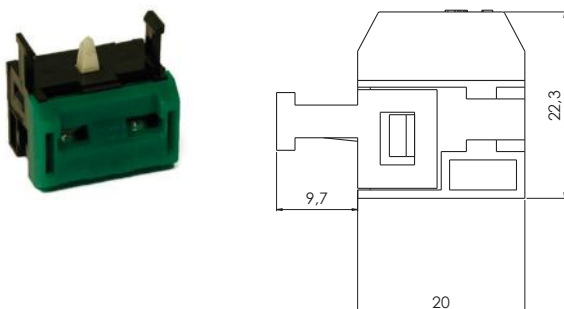
3 POSITIONS LEVER



TYPE	CODE	Function
3 POSITIONS FIXED	1003A00084	
3 POSITIONS RETURN	1003A00085	

ELECTRICAL SWITCH*

For panel actuator.



TECHNICAL DATA

Isolation Voltage	Vi 660
Termichal Current	Ith 12A
Protection	IP 20
Category of use	AC 15

COLOR	CODE	REF.
RED	1003A00050	CONTATTO NC
GREEN	1003A00051	CONTATTO NO

* Suitable for line 100 only.